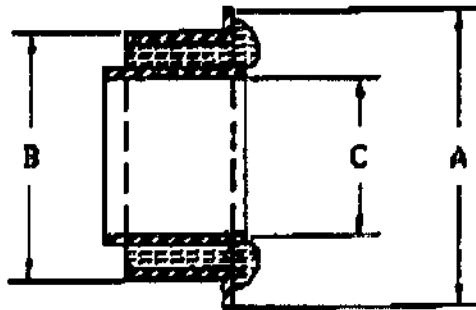


Identification Aids

Specifications and Measurements

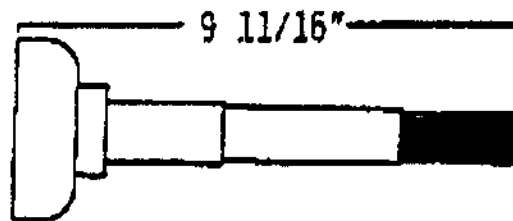
CONTROL ARM BUSHINGS



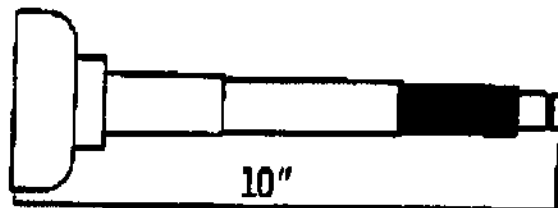
	<u>A</u>	<u>B</u>	<u>C</u>
139-1347	60MM	50MM	28MM
139-1348	60MM	50MM	32MM
6014-3420	65MM	56MM	33MM
6014-3421	65MM	56MM	36MM

OUTER CV JOINTS

EARLY 798-4660

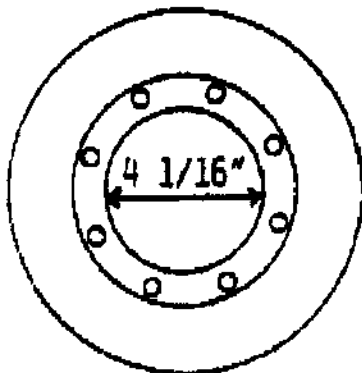


LATE 819-7737

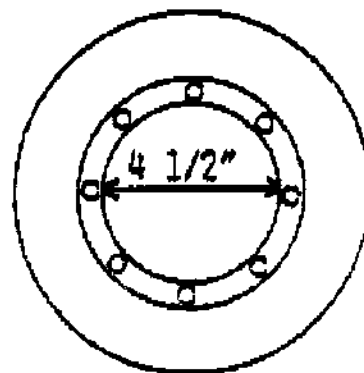


BRAKE ROTORS

EARLY 190-4530S

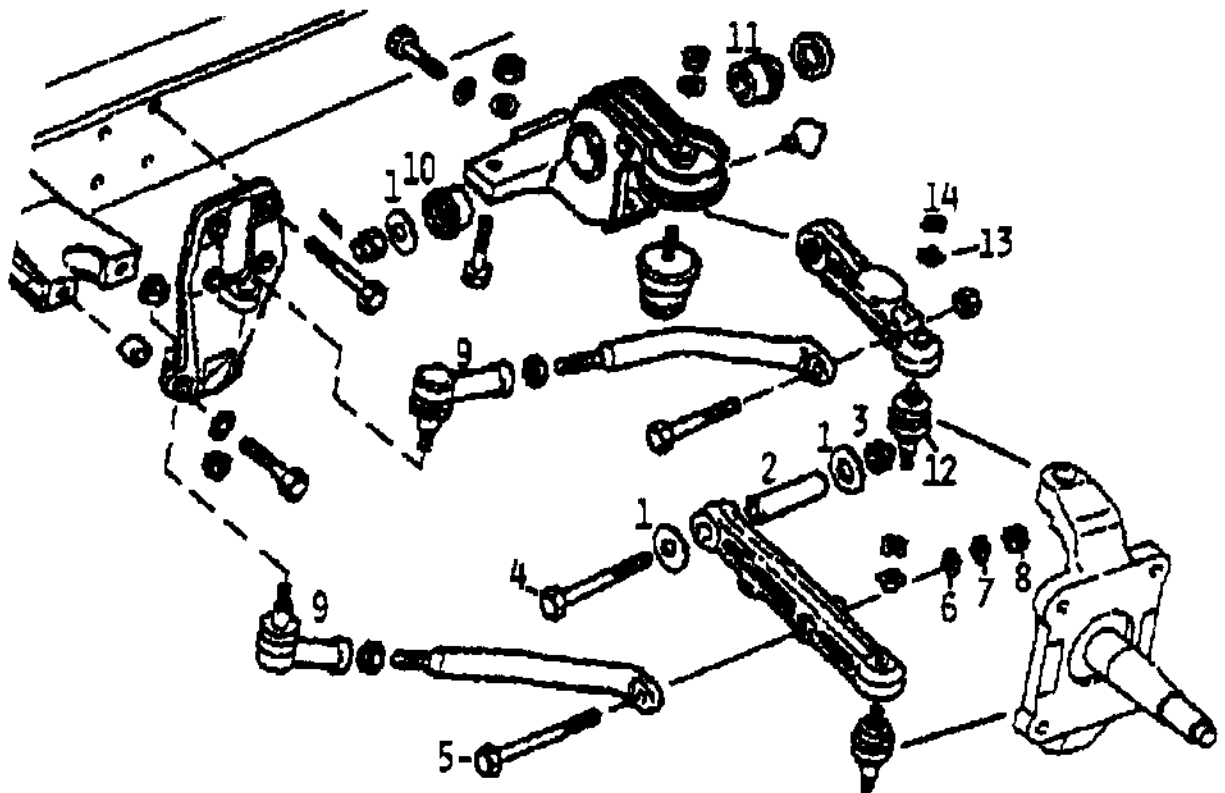


LATE 190-4539S



Front Suspension

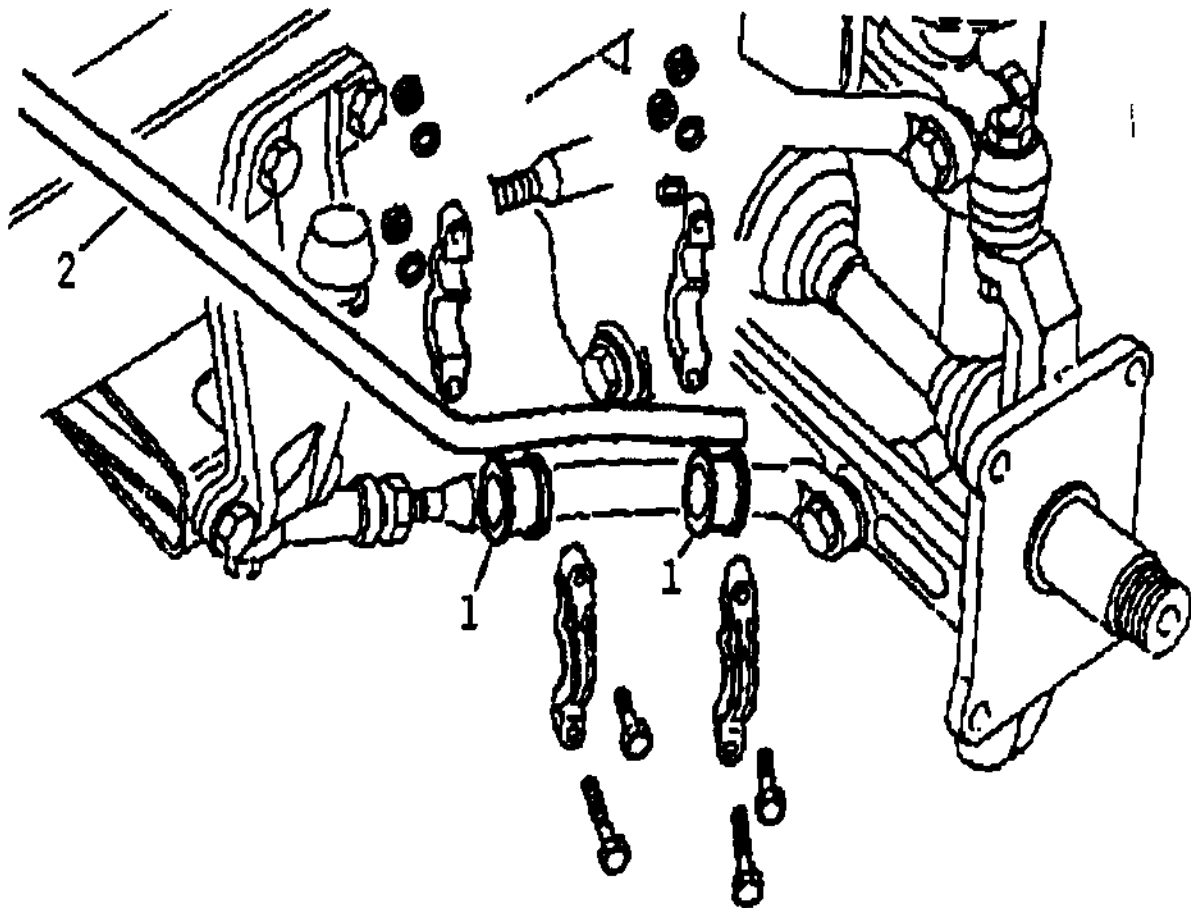
04-7125



Position	Part Number	QTY.	Description
1	438-5329	5	Washer - 63mm
2	9380-0480	2	Bushing
3	1715-5731	4	Nyloc (16 x 1.5mm)
4	9380-5749	2	Bolt 10 (16 x 1.5 x 140mm)
5	858-5170	2	Shock Bolt 10 (16 x 1.5 x 190mm)
6	1709-7724	2	Flat Washer
7	1057-2173	2	Lockwasher 16.2mm
8	1704-3431	2	Hex Nut (16 x 1.5mm)
9	9380-2209	4	Rod End
10	139-1347	2	Bushing (60 x 50 x 28mm)
11	139-1348	2	Bushing (60 x 50 x 32mm)
12	9380-7545	4	Ball Joint
13	9380-7321	2	Lock Plate
14	9380-2356	2	Grooved Nut

Front Sway Bar

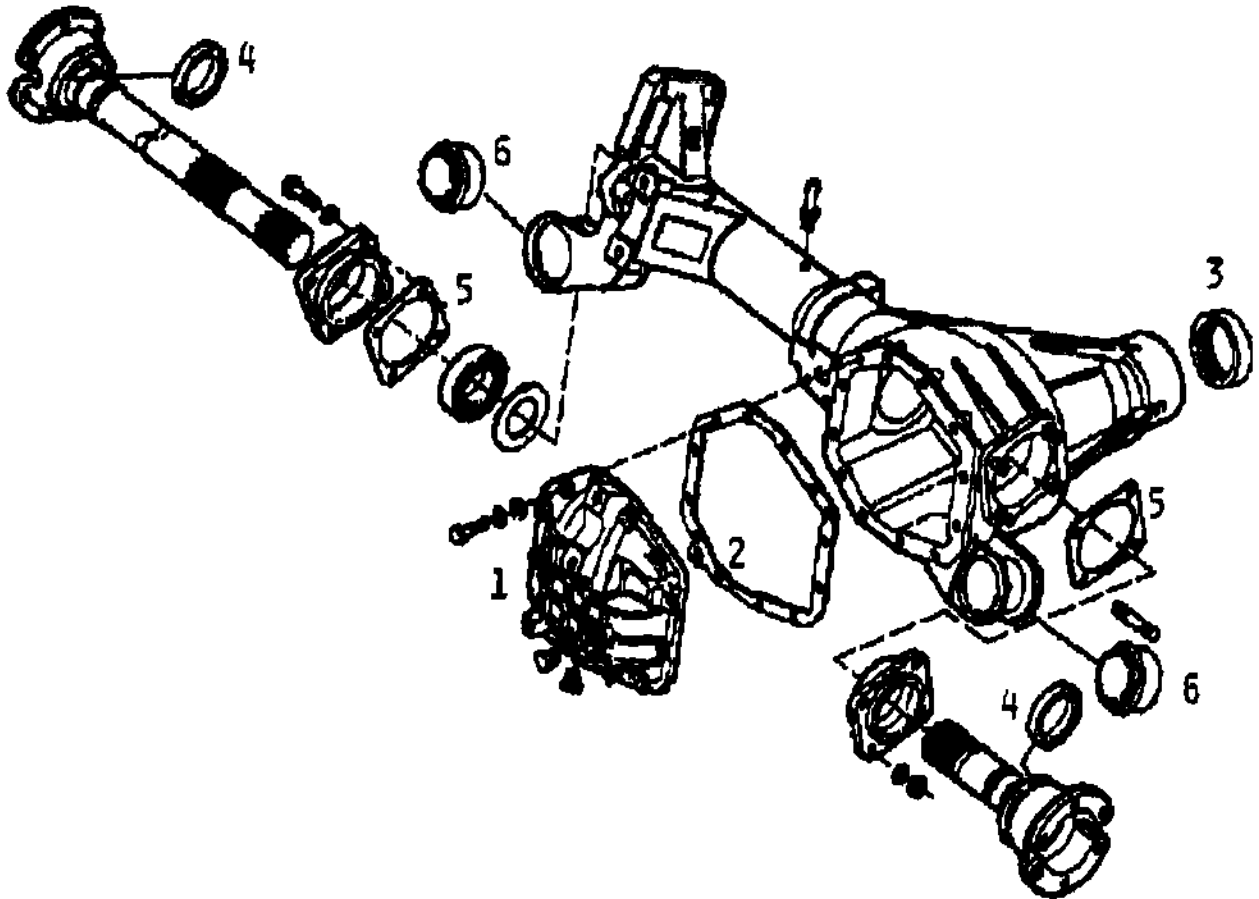
04-7140



Position	Part Number	QTY.	Description
1	LF858-5819	4	Sway Arm Bushing
2	LF858-6765	1	Sway Bar

Front Axle

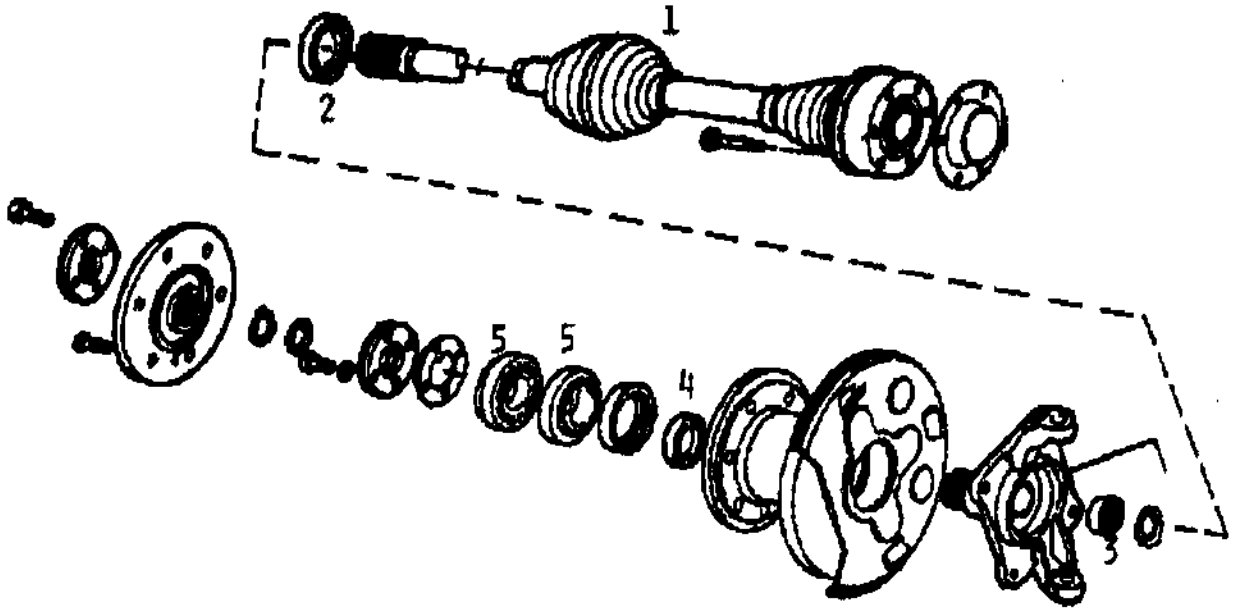
11-5948



Position	Part Number	QTY.	Description
1	718-0599	1	Front Cover
2	190-8321	1	Gasket
3	4010-2263	1	Pinion Seal (60 x 90 x 14/16.3mm)
4	4010-1353	2	Seal (48 x 63 x 10mm)
5	716-7485	2	Gasket
6	139-1347	4	Bushing (60 x 50 x 28mm)

Front Axle (Late)

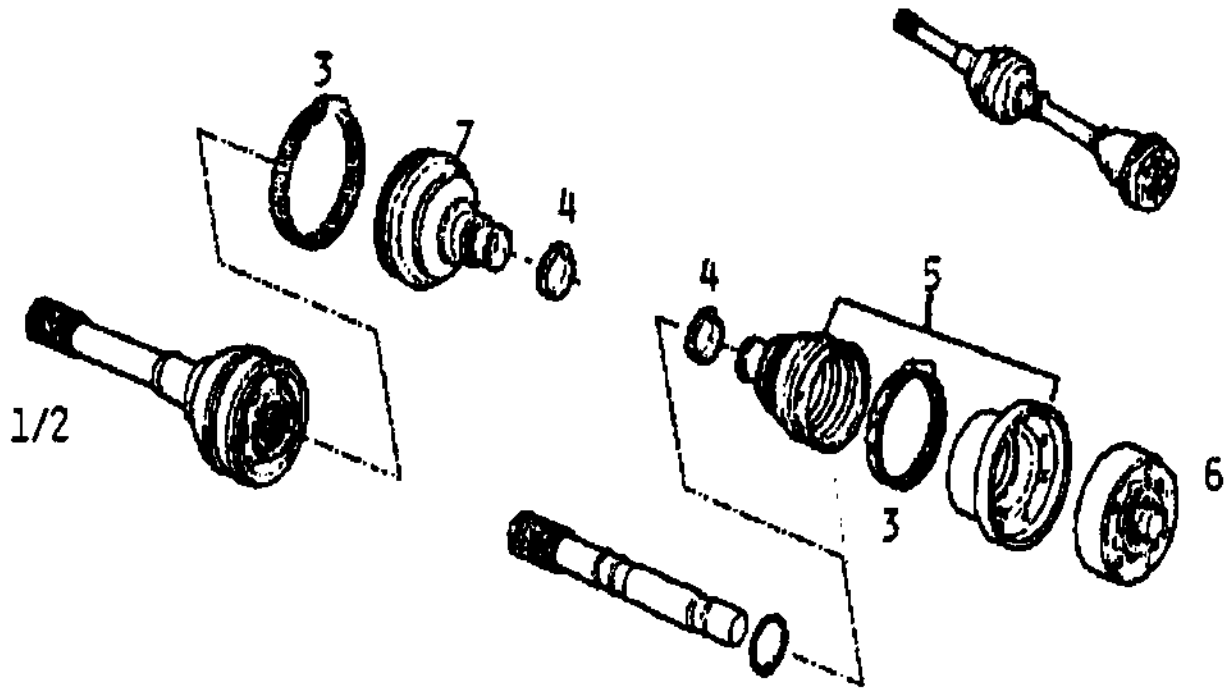
11-5965



Position	Part Number	QTY.	Description
1	LF6014-1961	2	Half Shaft Assy.
2	LF4010-0850	2	Seal (70 x 90 x 10mm)
3	LF6014-6673	2	Needle Bearing
4	LF4010-0860	2	Seal (80 x 100 x 10mm)
5	LF716-4487	4	Roller Bearing (32013X/100mm OD)

Half Shafts

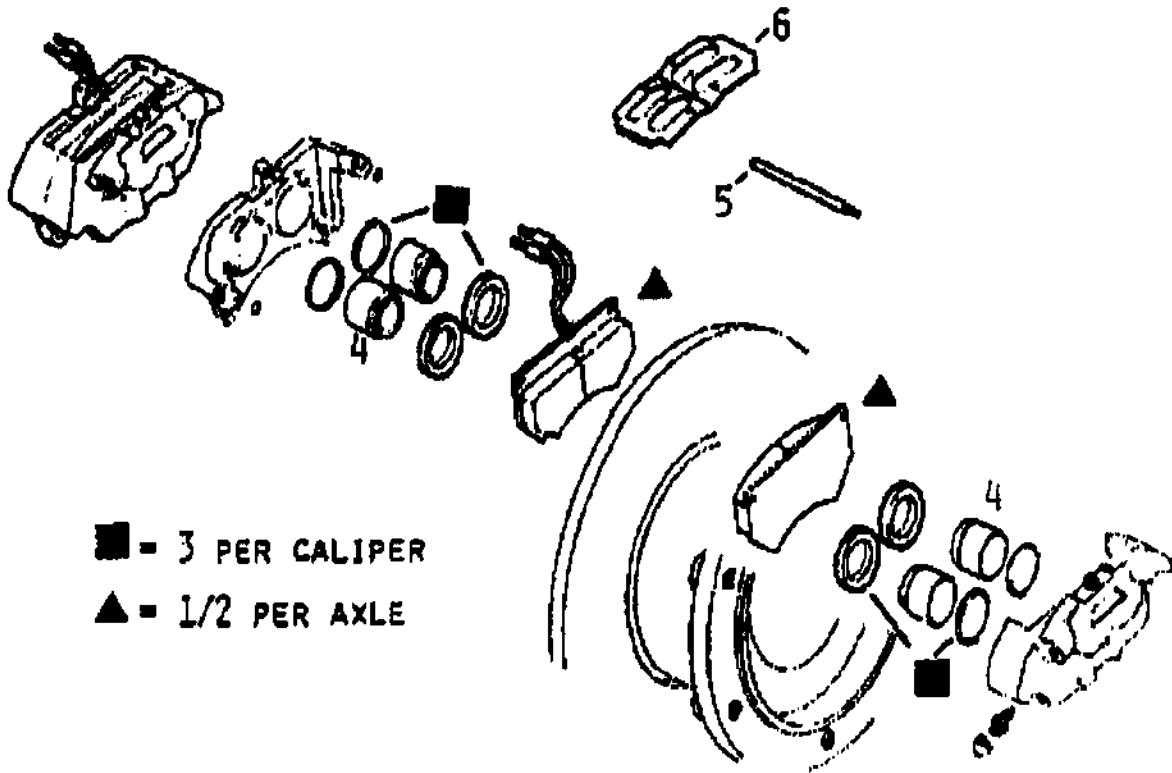
11-5973



Position	Part Number	QTY.	Description
1	798-4669	2	Outer CV Joint (Early)
2	819-7737	2	Outer CV Joint (Late)
3	819-7970	4	Clamp (125mm)
4	9315-7592	4	Clamp (40mm)
5	798-4671	2	Inner Boot Kit
6	819-7738	2	Inner CV Joint
7	9319-2491	2	Outer Boot

Front Brakes

12-6248



Position	Part Number	QTY.	Description
1	LF190-6243	1	Brake Pad Set (Early) (open switch)
2	LF190-6040	1	Brake Pad Set (Late) (closed switch)
3	LF812-4729	2	Caliper Kit (per caliper)
4	LF9315-6105	4	Caliper Piston (Each)
5	LF812-2714	4	Caliper Pin
6	LF9319-3603	2	Pad Retainer

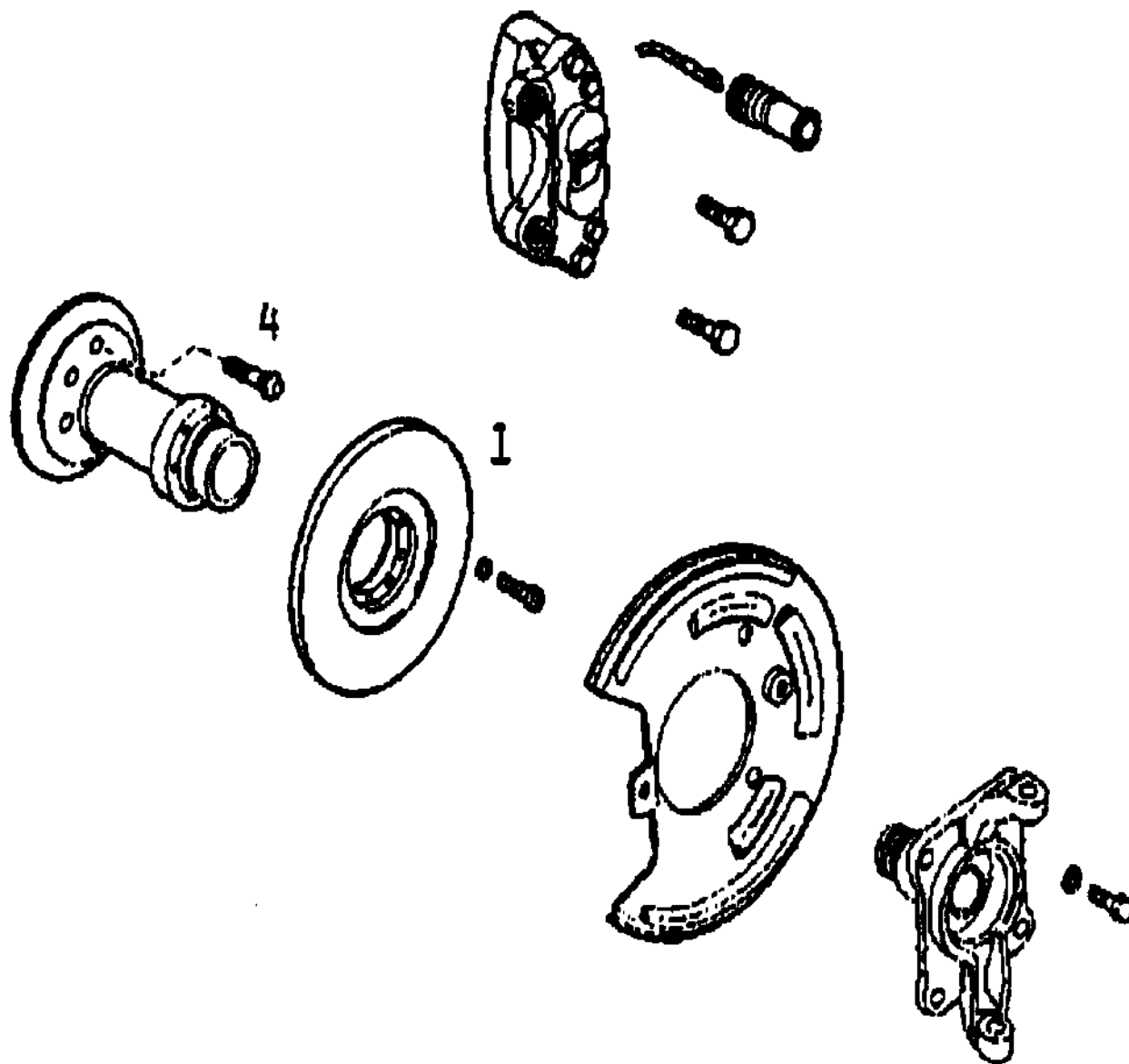
MAGNUM HY4

020031

BRAKE PAD FOR VENTED DISKS

Front Disc Brakes (Late)

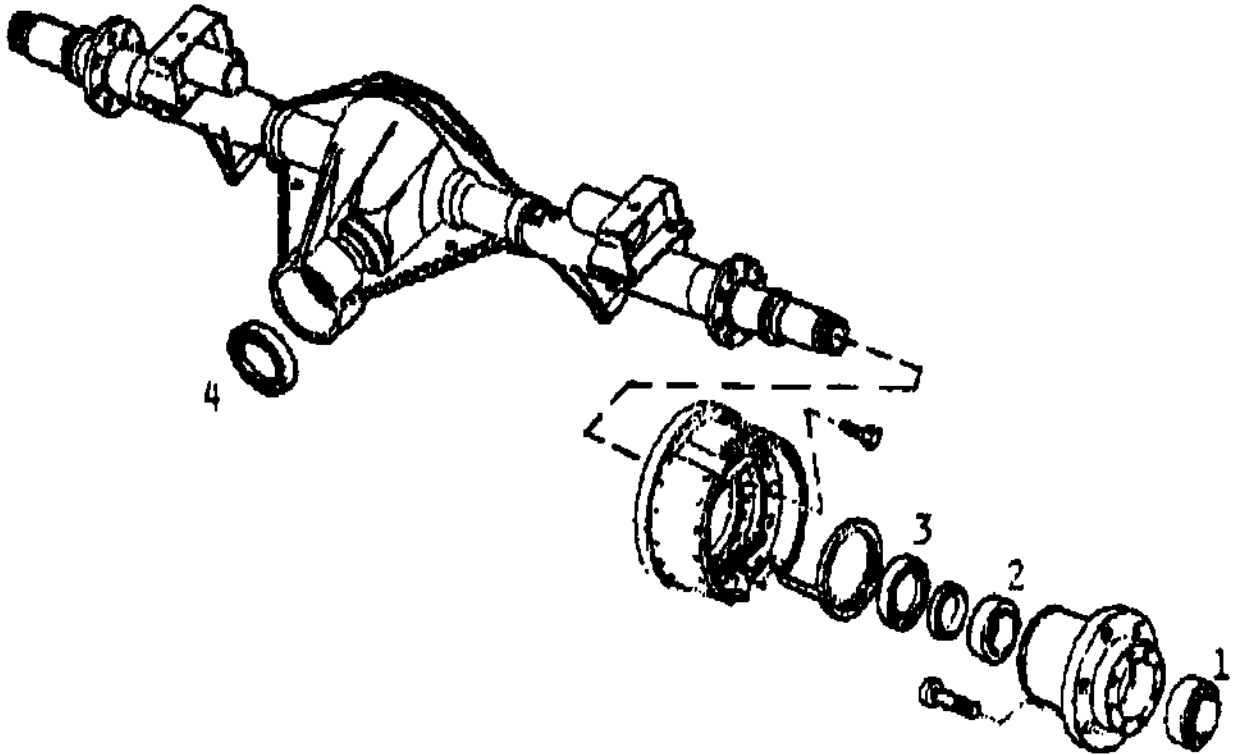
12-6294



Position	Part Number	QTY.	Description
1	190-4539S	2	Rotor (Late) (Each)
2	9380-2109	A/R	Front Wheel Stud

Rear Axle

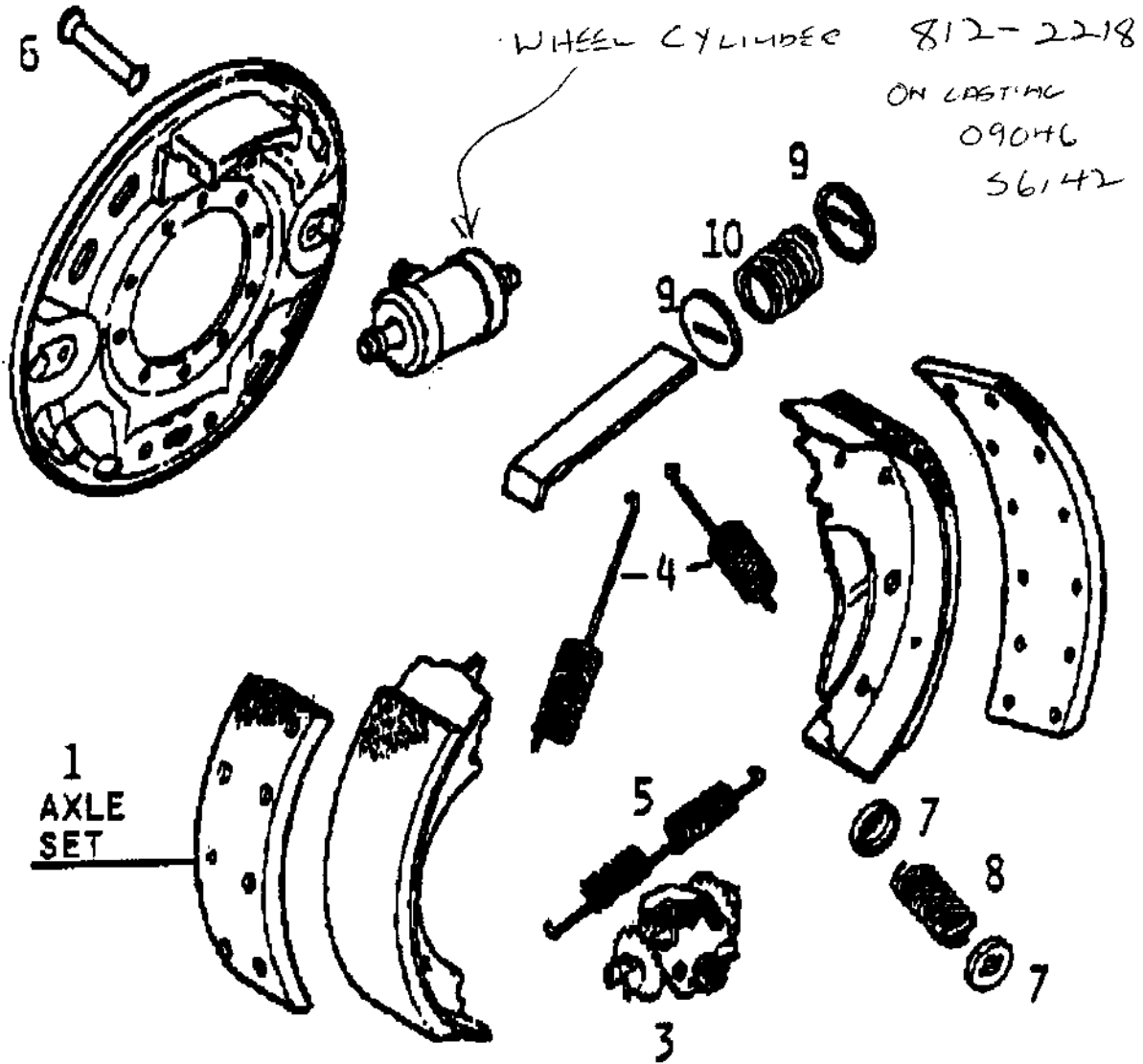
16-8708



Position	Part Number	QTY.	Description
1	816-9268	2	Outer Bearing (32011X)
2	716-0360	2	Inner Bearing (33111Q)
3	4010-2283	2	Seal w/ Wear Ring
4	4010-2263	1	Pinion Seal w/ Wear Ring (60 x 90 x 14/16.3mm)

Rear Brakes

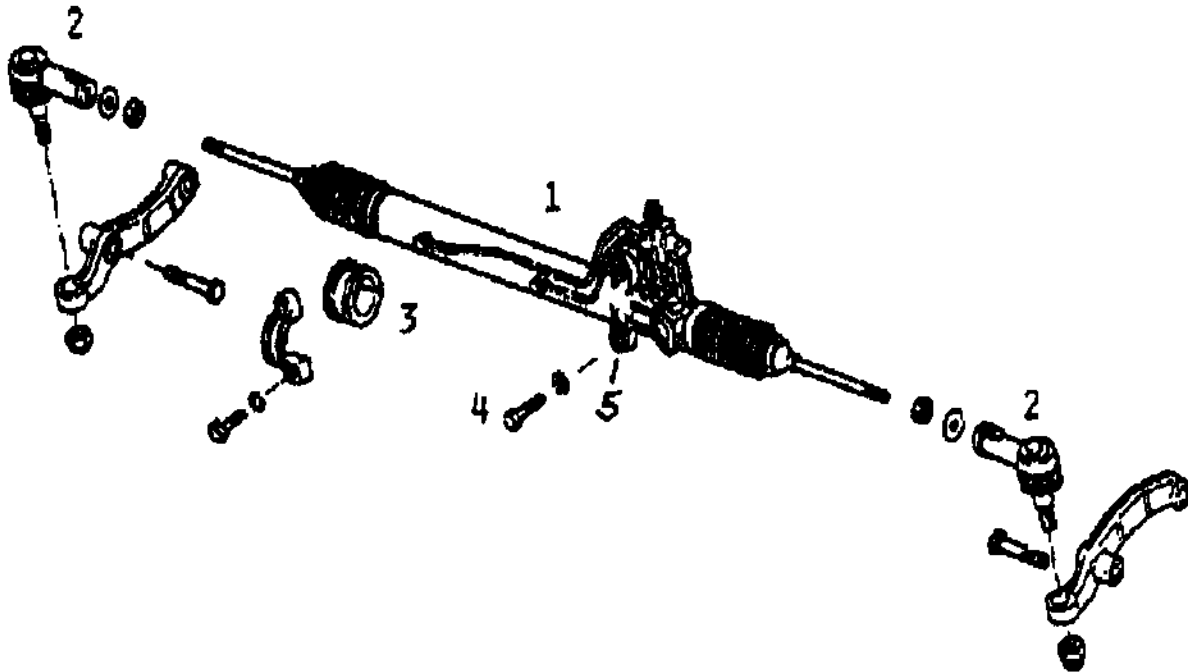
18-9519



Position	Part Number	QTY.	Description
1	190-6380	1	Lining-Axle Set (80mm)
3	812-2219	2	Self-Adjuster
4	812-2295	4	Return Spring
5	812-2296	2	Return Spring
6	812-2299	4	Retainer
7	716-5207	4	Spring Cap
8	716-5203	2	Spring
9	716-5204	4	Spring Cap
10	716-5208	2	Spring

Steering Rack

13-6706



Position	Part Number	QTY.	Description
1	9844-5306	1	Steering Rack w/o Rod Ends
2	858-4193	2	Rod End
3	9380-2392	1	Rack Mount Bush
4	1623-7234	2	Bolt - 10 (10 x 1.25 x 65mm)
5	9844-4046	4	Rack Bushing

Spare Parts List 270 x 80 SM-Öm 10 270 258/259

Description	WABCO Number	No.	IVECO Number	Comments
Brake	10 270 258	1	9943 6612	left brake
Brake	10 270 259	1	9943 6613	right brake
Replacing:				
Brake	10 270 246	1	9844 9332	left brake
Brake	10 270 247	1	9844 9334	right brake
and				
Brake	10 270 211	1	484 6034	left brake
Brake	10 270 212	1	484 6035	right brake
Brake shoe repair kit - normal size (per axle) Contents: brake shoes with linings	12 999 529	1	190 6377	per axle
Brake shoes repair kit - oversize 1 (per axle)	12 999 530	1	190 6378	per axle
Brake shoes repair kit - oversize 2 (per axle)	12 999 531	1	190 6379	per axle
Brake lining repair kit Contents: linings and rivets (per axle)	12 999 663	1	190 6380	per axle
Springs repair kit Contents: pressure and tension springs, spring seat, pin	12 999 287	1	812 4934	per brake
Adjuster repair kit Contents: tension spring, screw	12 999 288	1	812 4935	per brake
Adjuster	16 001 042	1	9319 2155	per brake
Wheel cylinder	16 120 001	1	9315 5720	per brake
Thrust plate	13 229 074	1	812 2289	per brake

Please note: Fitting instructions are available on request.

The replacing of brake linings must always be done per axle!